

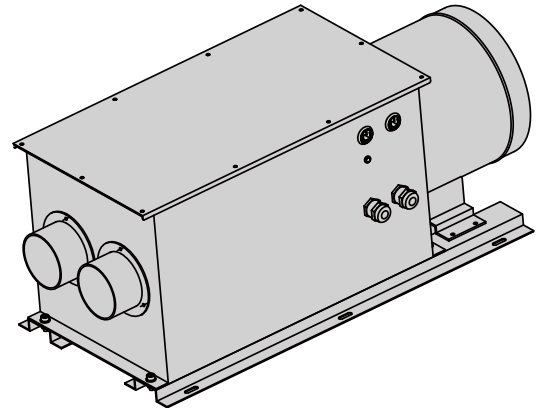
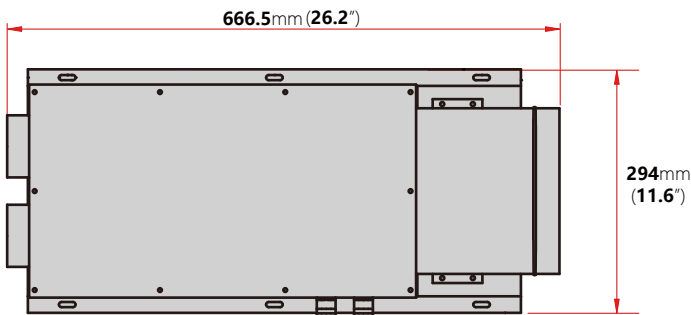
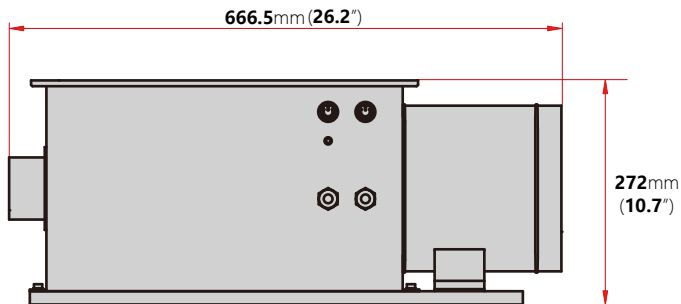


UVC Light for ***ELEVATOR***



EPA NO.97623

DIMENSIONS & WEIGHT



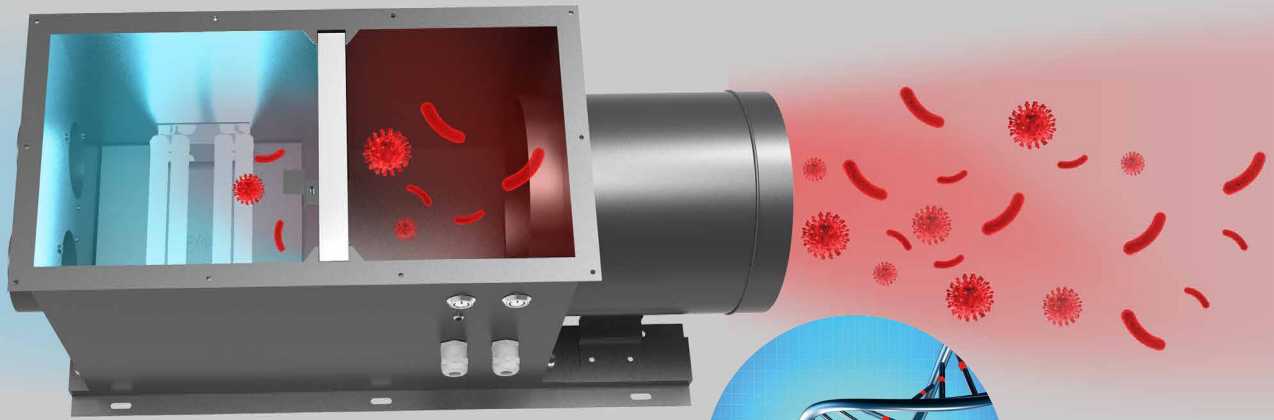


Shinetoo Lighting USA LLC

Add: 12638, 1265 Rand RD, Des Plaines, IL 60016
Ph: (224)567-8070 M: (847)899-1678
Email: Sales@stledlights.com

Jiaxing Shinetoo Lighting Co.,Ltd

Add: No. 258, Xingchang Road, Xincheng Town, Xiuzhou District, Jiaxing, Zhejiang, China 314015
Tel : +86-573-8350-0001 Fax : +86-573-8350-0005
Mobile : +86-138-0961-6725/+86-138-1878-3129
Email: Sales@stledlights.com



Exposure to UVC light for a long time destroys the DNA strands of the virus

UVC LIGHT FOR ELEVATOR

Lamp Technology: UV-C

Lamp Qty: 2

Dimensions: 666.5mm-W x 294mm-D x 272mm-H
26.2"-W x 11.6"-D x 10.7"-H

Weight: 25KG / 55LBS

Voltage: 110-120V AC, 50/60Hz
220-240V AC, 50/60Hz

Total Watts: 145W

Single-lamp Watts: 18W

UV Output : 110 @ 254nm $\mu\text{W}/\text{cm}^2$ (@1m)

Single-lamp UV Output: 6W

UVC Lamp : 1 year warranty (8,000hours)

UV Wavelength: UV-C, 200nm - 280nm (254 nm peak)

Lamp Type: UVC Lamp

Lamp Base: -

Replacement Lamp: -

Power Factor: >0.9

Delay: 0 Seconds

Maximum Treatment Time: 24 Hours

Ambient Operating Temp: 26.7°C / 80°F

Materials: 304 Stainless Steel

Mounting: Bracket

Noise level: 30-70dBa

Maximum Speed: 900CFM

Ratings/Features

Short-wave Germicidal Light

kill 99% of viruses and other germs

FAN



Fan: <49.7DB

Dimension:
120mm-W x 120mm-D x 38mm-H
4.7"-W x 4.7"-D x 1.5"-H

Rated Voltage: 12V

Rated Speed: 2400rpm±10%

Life Expectance: 50000hrs at 40 C

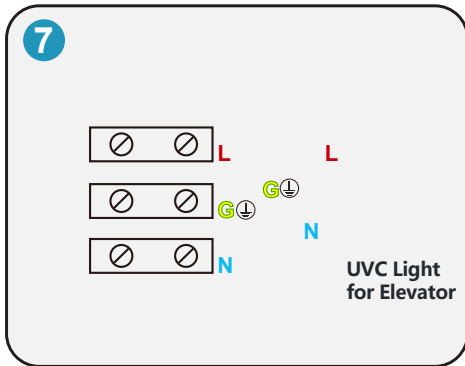
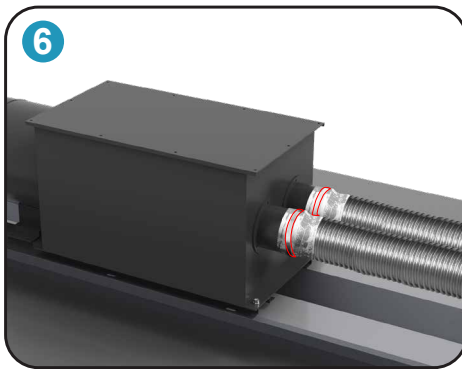
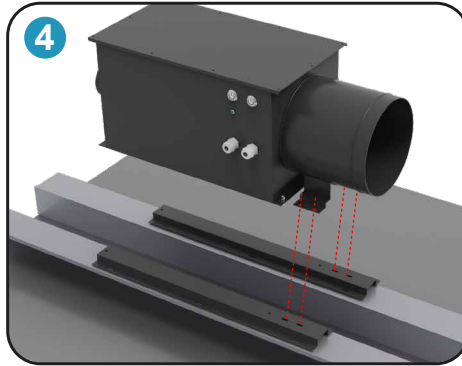
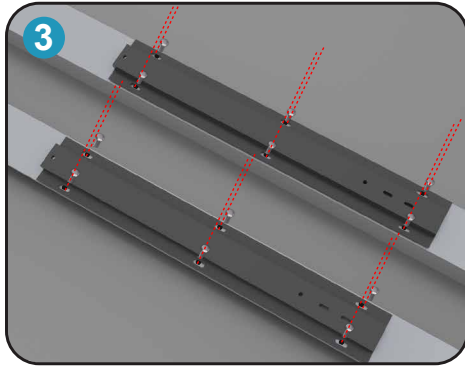
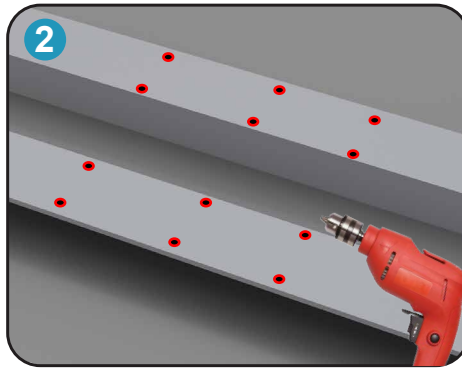
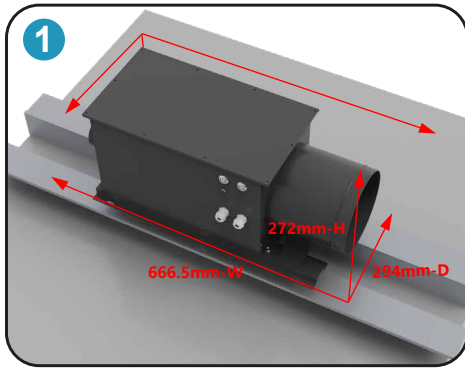
UVC LAMP



Cap-Base: 2G11

Power (Rated) (Nom): 36W

UV-C Radiation: 11W



Product Details

Step 1
Confirm the installation location, secure the safe area.

Step 2
Punch holes where the lights need to be installed.

Step 3
Install accessories in the punched area.

Step 4
Install the light on the accessory.

Step 5
Connect the ventilation duct to the air inlet of the lamp, wrap it in tin foil, and fix it with a hoop.

Step 6
The ventilation duct is connected to the two air outlets of the lamp, and then wrapped in tin foil, and finally fixed with a hoop.

Step 7
Connect the terminals from the luminaire to IP66 rated terminal block, as follows:

Connect yellow / green earth wire to the earth terminal (G)

Connect the brown live wire (L) to the live terminal

Connect the blue neutral (N) to the neutral terminal

PACKING DETAILS



Gloves

UVC Light for Elevator

On-Off

The Wire

Shineto Lighting USA LLC

Add: 12638, 1265 Rand RD, Des Plaines, IL 60016
Ph: (224)567-8070 M: (847)899-1678
Email: Sales@stledlights.com

Jiaxing Shineto Lighting Co.,Ltd

Add: No.258, Xingchang Road, Xincheng Town, Xiuzhou District, Jiaxing, Zhejiang, China 314015
Tel : +86-573-8350-0001 Fax : +86-573-8350-0005
Mobile : +86-138-0961-6725/+86-138-1878-3129
Email: Sales@stledlights.com